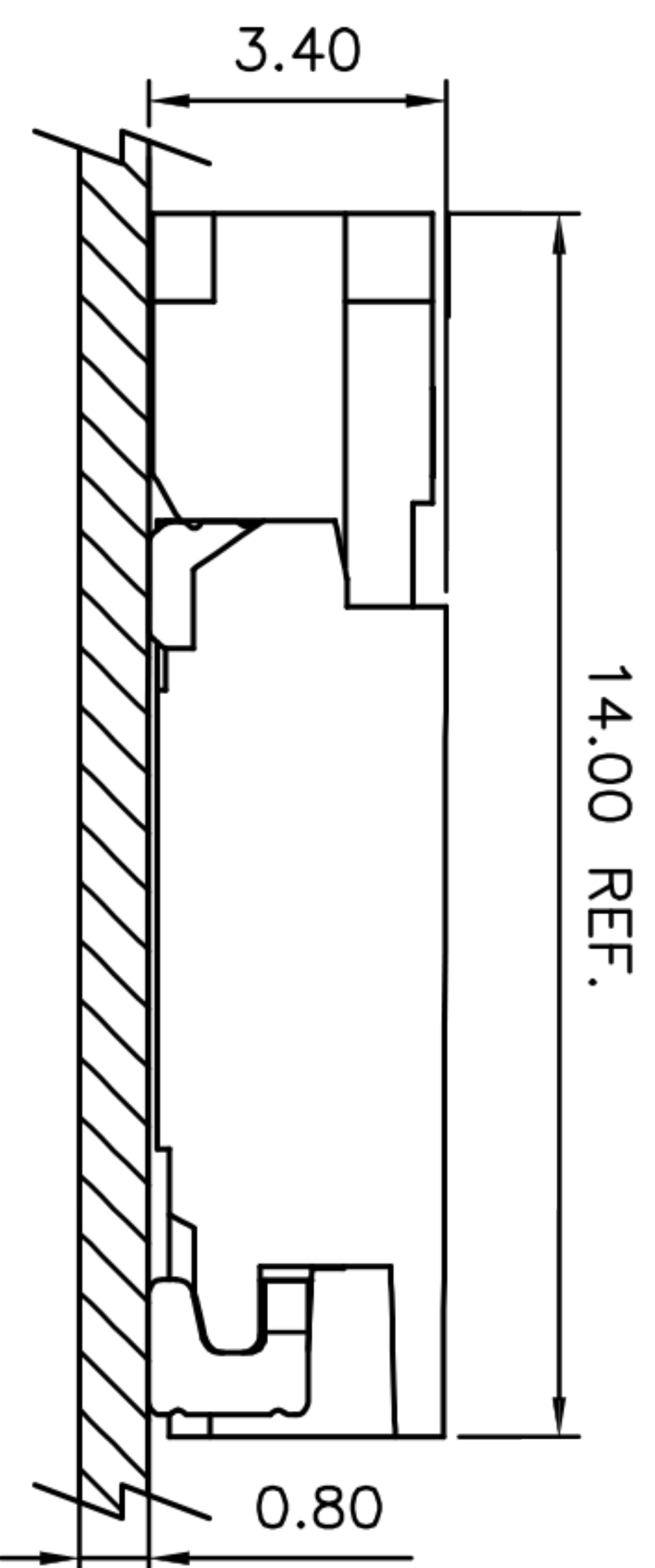


P.C.B LAYOUT



SPECIFICATIONS
 Current Rating: 1A AC,DC
 Voltage Rating: 1400V AC,DC
 Temperature Range: -25°C ~ +85°C
 Contact Resistance: 10mΩ Max
 Insulation Resistance: 1000MΩ Min
 Withstanding Voltage: 3800V AC/minute
 Pin Material: Brass/Gold-flash
 Solder Tabs: Brass/Gold-flash
 Material: Nylon 6T,UL94V-0
 Color: Natural(Black)

ECN NO.	REV.	DATE.	DESCRIPTION.	CHANGE.	CHECK.	APPRO.
	A		NEW			

APPROVALS		DATE	深圳市联丰电子有限公司 SHENZHEN LINFENYING ELECTRONIC CO.,LTD			
DRAWN	ZHIWEI.CHEN	2015.07.07	TITLE:	3.50mm Crimp Style Connector		
CHECKED			PART NO.	GP01-3500WRS-NP		
APPROVALS			UNIT: mm	SCALE: 1:1	PROJ:	
TOLERANCES ARE			DRAWING NO.			SHEET 1 OF 1
30~以上	±0.30	ANGLE				
10~30	±0.20					
5~10	±0.15	±2°				
~ 5	±0.10					