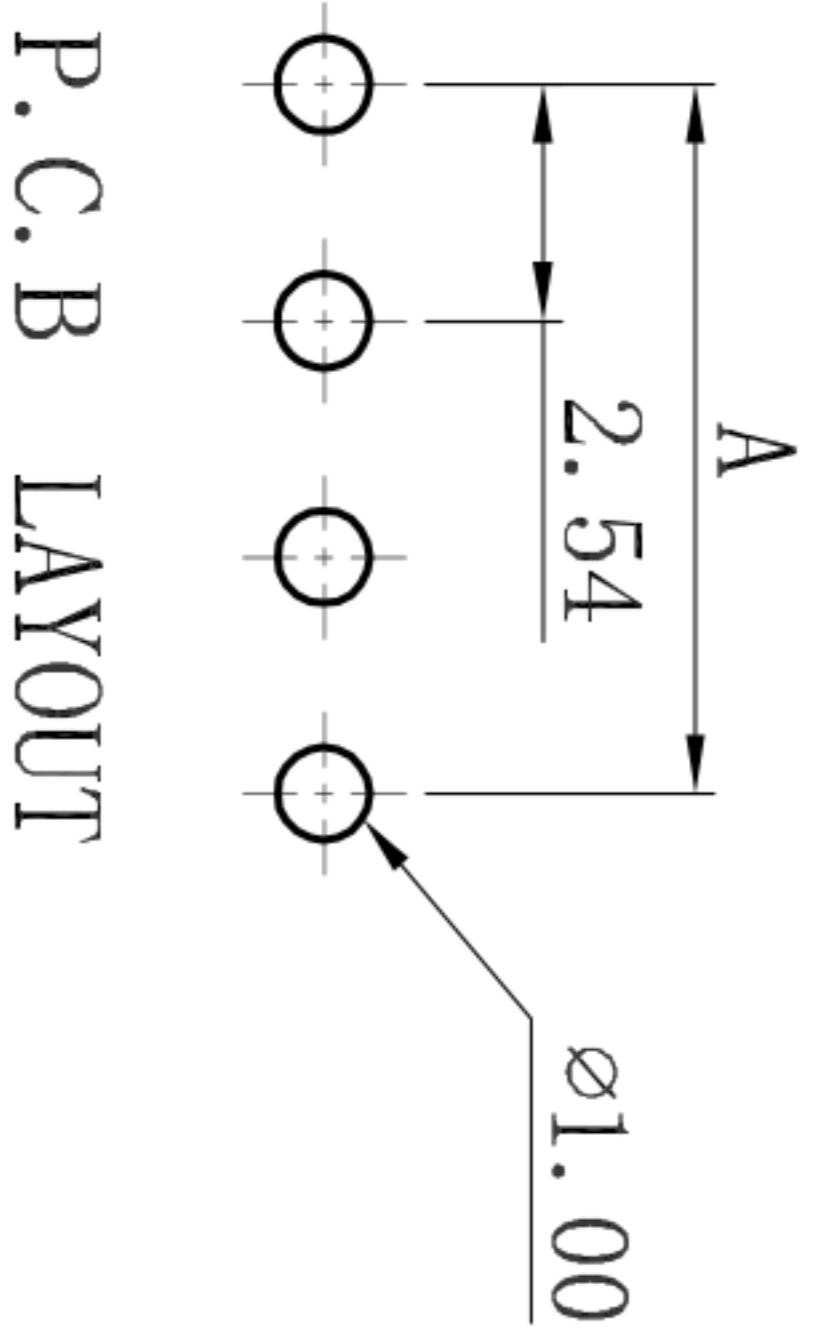


SECTION: A-A



4 CIRCUIT

3 CIRCUIT

2 CIRCUIT

**■ SPECIFICATIONS**

- Voltage rating: 250V AC, DC
- Current rating: 5A, AC, DC
- Withstanding Voltage: 1500V AC/minute
- Insulation resistance: 1000MΩ min
- Temperature range: -25° C~+85° C
- Contact resistance: 20mΩ max

**■ WAFER**

- Poles : 02-20P
- Housing Material: PA66 15%GF UL94V-0 Black
- Pin Material: Brass
- Contact Area Plating: Gold-Flash
- The Dimension Marked “▼” Must Be Recorded

Poles	Dimension (mm)	
	A	B
02	2.54	7.62
03	5.08	10.1
04	7.62	12.7
05	10.16	15.2
06	12.70	17.7
07	15.24	20.3
08	17.78	22.8
09	20.32	25.4
10	22.86	27.9
11	25.40	30.4
12	27.94	33.0
13	30.48	35.5
14	33.02	38.1
15	35.56	40.6
16	38.10	43.1
17	40.64	45.7
18	43.18	48.2
19	45.72	50.8
20	48.26	53.3

ECN NO.	REV.	DATE.	DESCRIPTION.	CHANGE.	CHECK.	APPRO.
	A		NEW			

APPROVALS		DATE	TITLE:	
DRAWN	ZHIWEI.CHEN	2015.07.07	PART NO. GP01-2542WR-NP	
CHECKED			UNIT: mm SCALE: 1:1	
APPROVALS			PROJ:	
TOLERANCES ARE		ANGLE	DRAWING NO.	
30~ <sup>±0.30</sup>	10~ <sup>±0.20</sup>	5~ <sup>±0.15</sup>	±2°	SHEET 1 OF 1



**深圳市联丰电子有限公司**  
SHENZHEN LINFENG ELECTRONIC CO.,LTD