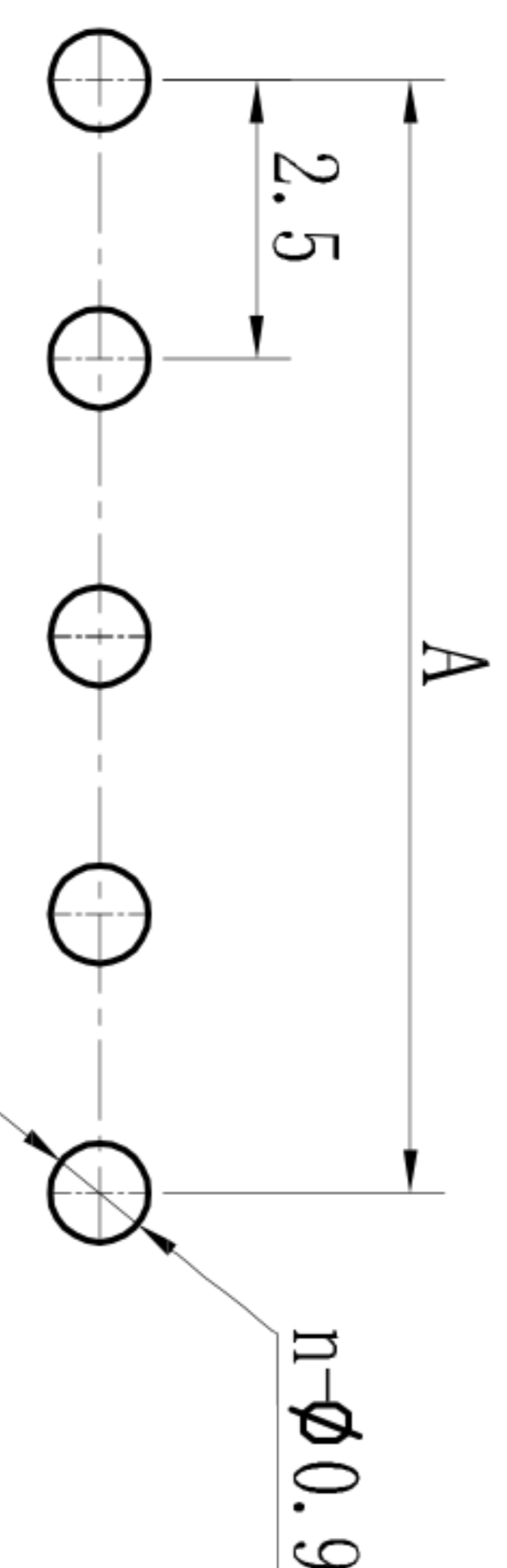
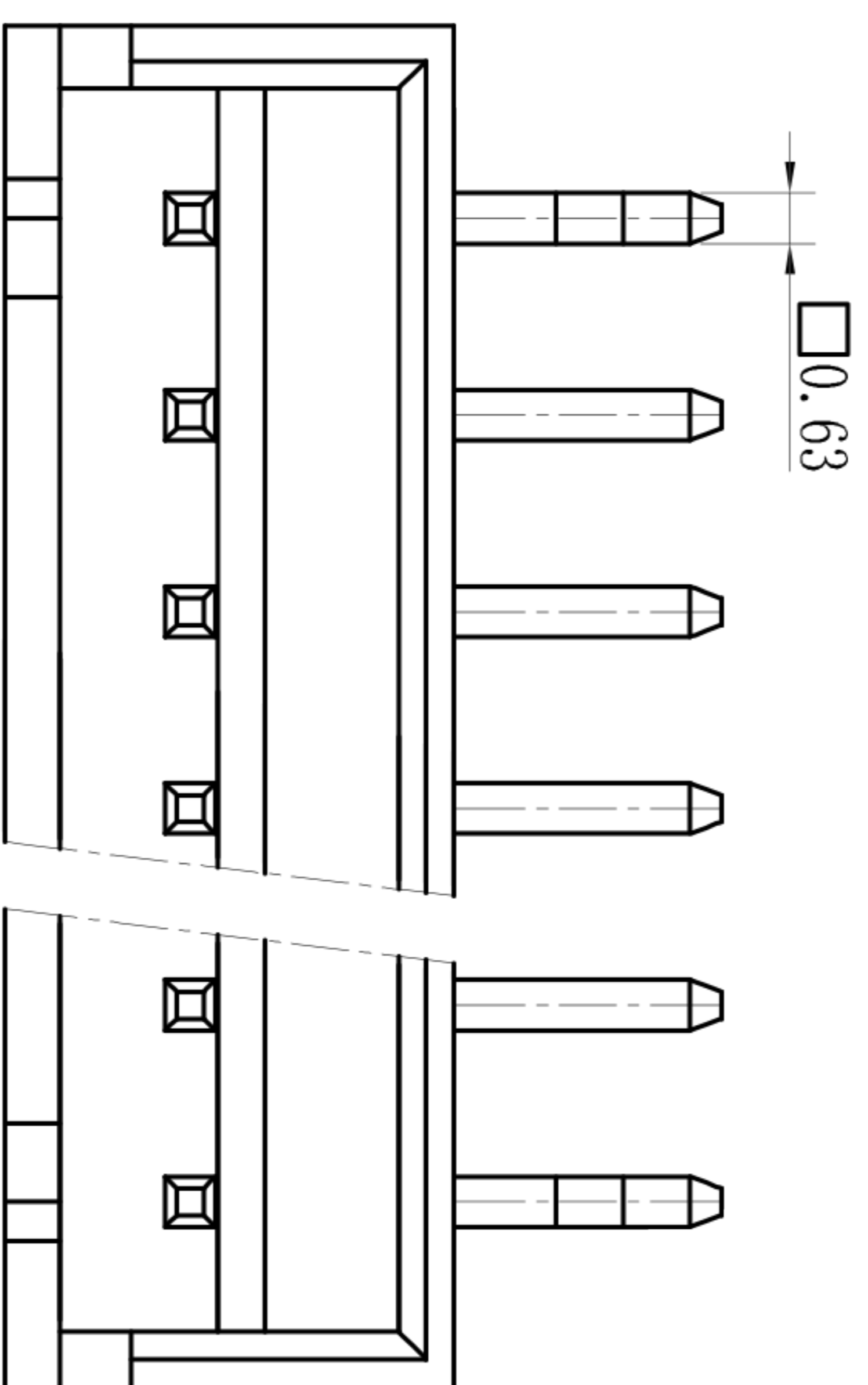
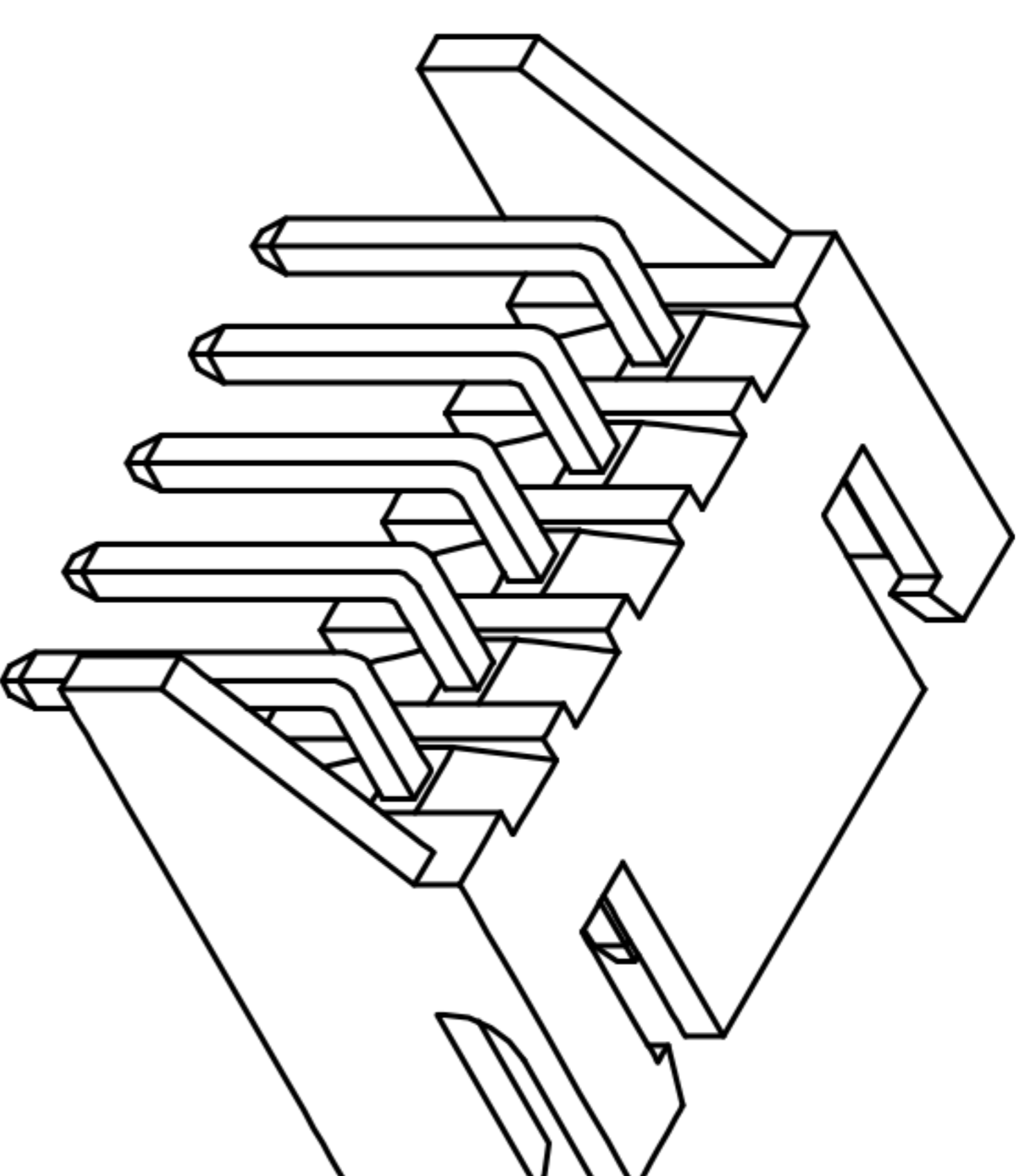
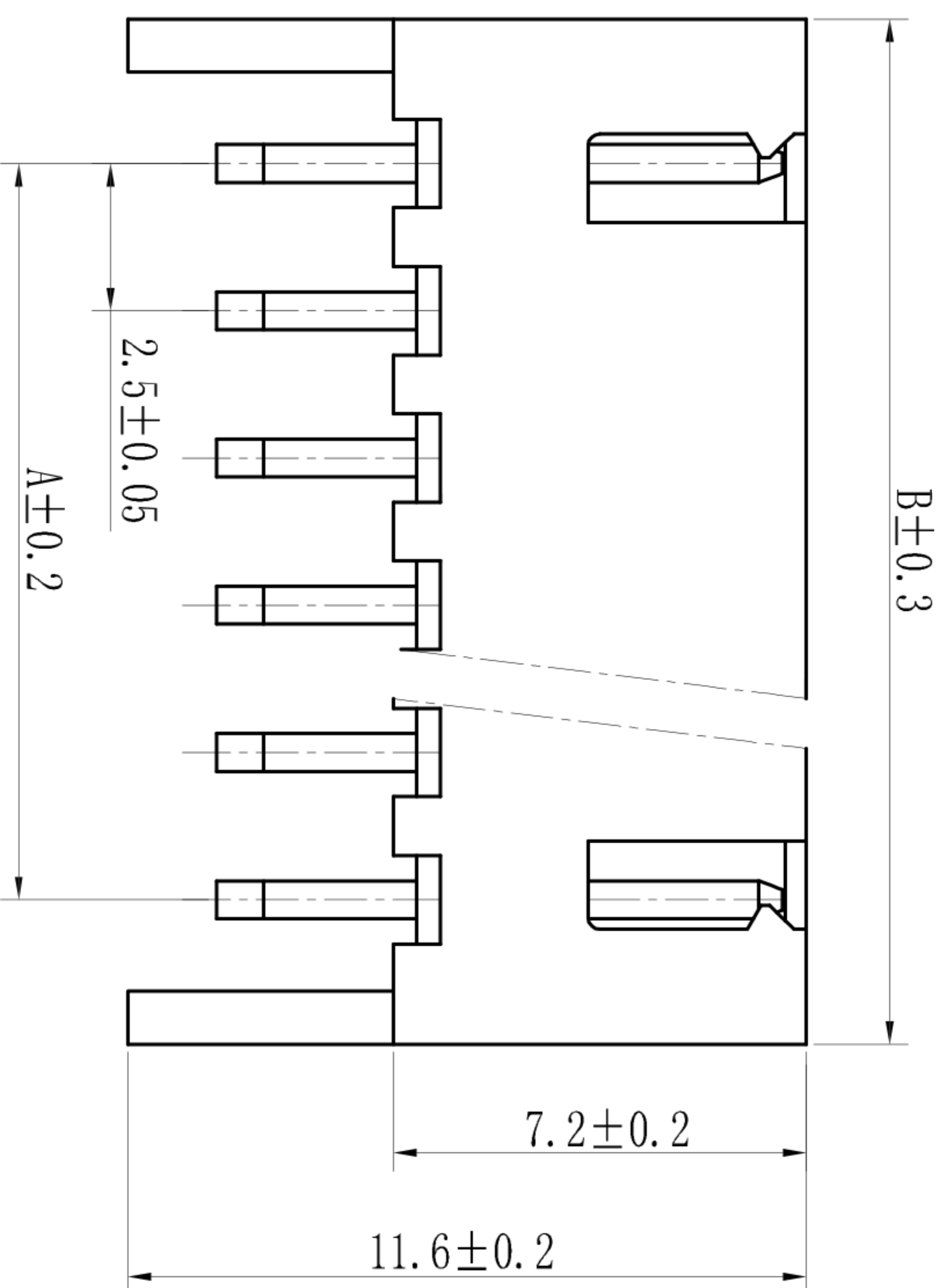
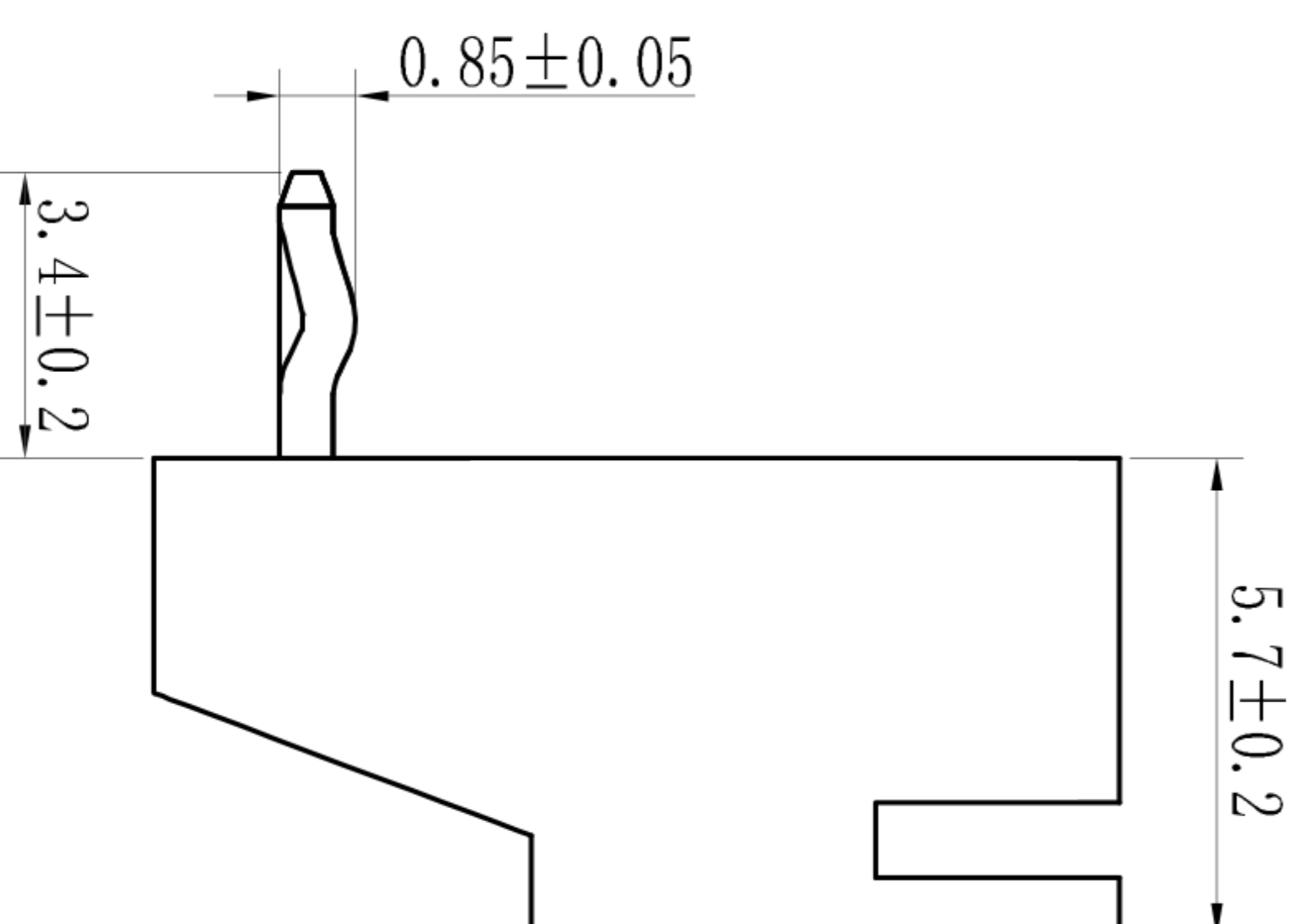


poles	A	B
2P	2.5	7.5
3P	5.0	10.0
4P	7.5	12.5
5P	10.0	15.0
6P	12.5	17.5
7P	15.0	20.0
8P	17.5	22.5
9P	20.0	25.0
10P	22.5	27.5
11P	25.0	30.0
12P	27.5	32.5
13P	30.0	35.0
14P	32.5	37.5
15P	35.0	40.0



PCB LAYOUT



技术参数 (SPECIFICATIONS)

额定电压: 250V AC DC
 Voltage rating: 250V AC DC
 额定电流: 3.0A AC DC #22
 Current rating: 3.0A AC DC #22
 耐压值: 1000V AC/minute
 Withstand voltage: 1000V AC/minute
 绝缘电阻: 1000MΩ MIN
 Insulation resistance: 1000MΩ MIN
 接触电阻: 0.02Ω MAX
 Contact resistance: 0.02Ω MAX
 工作温度: -25°C ~ +85°C
 Working Temperature: -25°C ~ +85°C
 间距: 2.5mm
 Pitch: 2.5mm
材料 (MATERIAL)
 外壳: 尼龙66
 Housing: PA66
 插针: 黄铜
 Pin: Brass

ECN NO.	REV.	DATE.	DESCRIPTION.	CHANGE.	CHECK.	APPRO.
	A		NEW			

APPROVALS		DATE	TOLERANCES ARE	
DRAWN	ZHIWEI.CHEN	2015.07.07	30~以上	±0.30
CHECKED			10~30	±0.20
APPROVALS			5~10	±0.15
			~ 5	±0.10
TITLE:		PART NO.	UNIT:	SCALE:
		GP01-2501WR-NP-L	mm	1:1
		DRAWING NO.		PROJ:
				SHEET 1 OF 1

