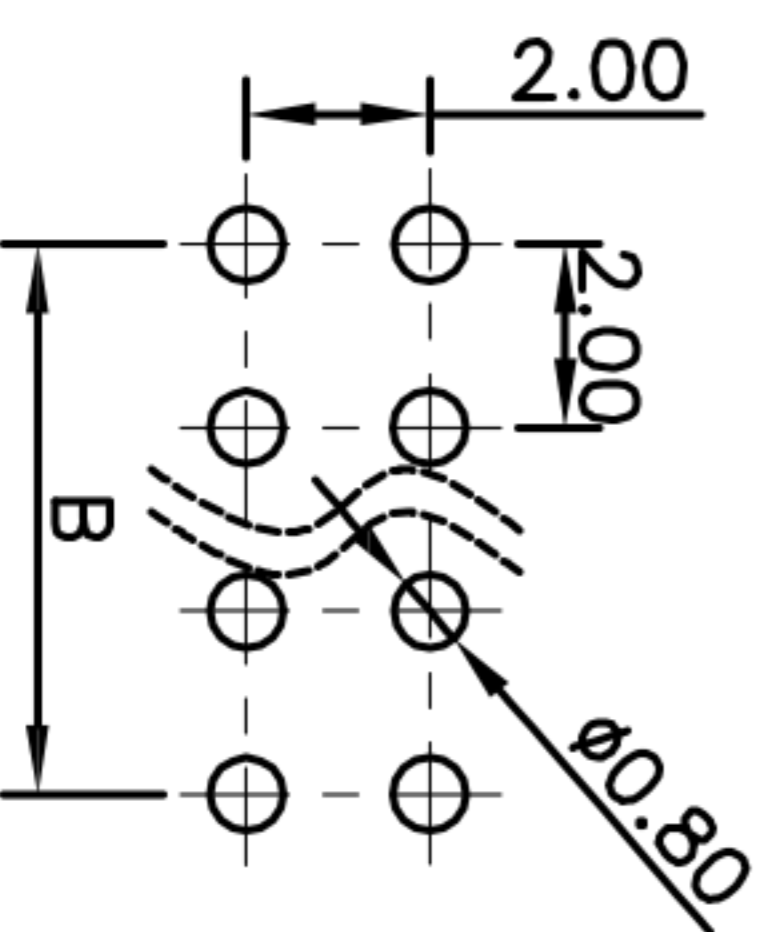
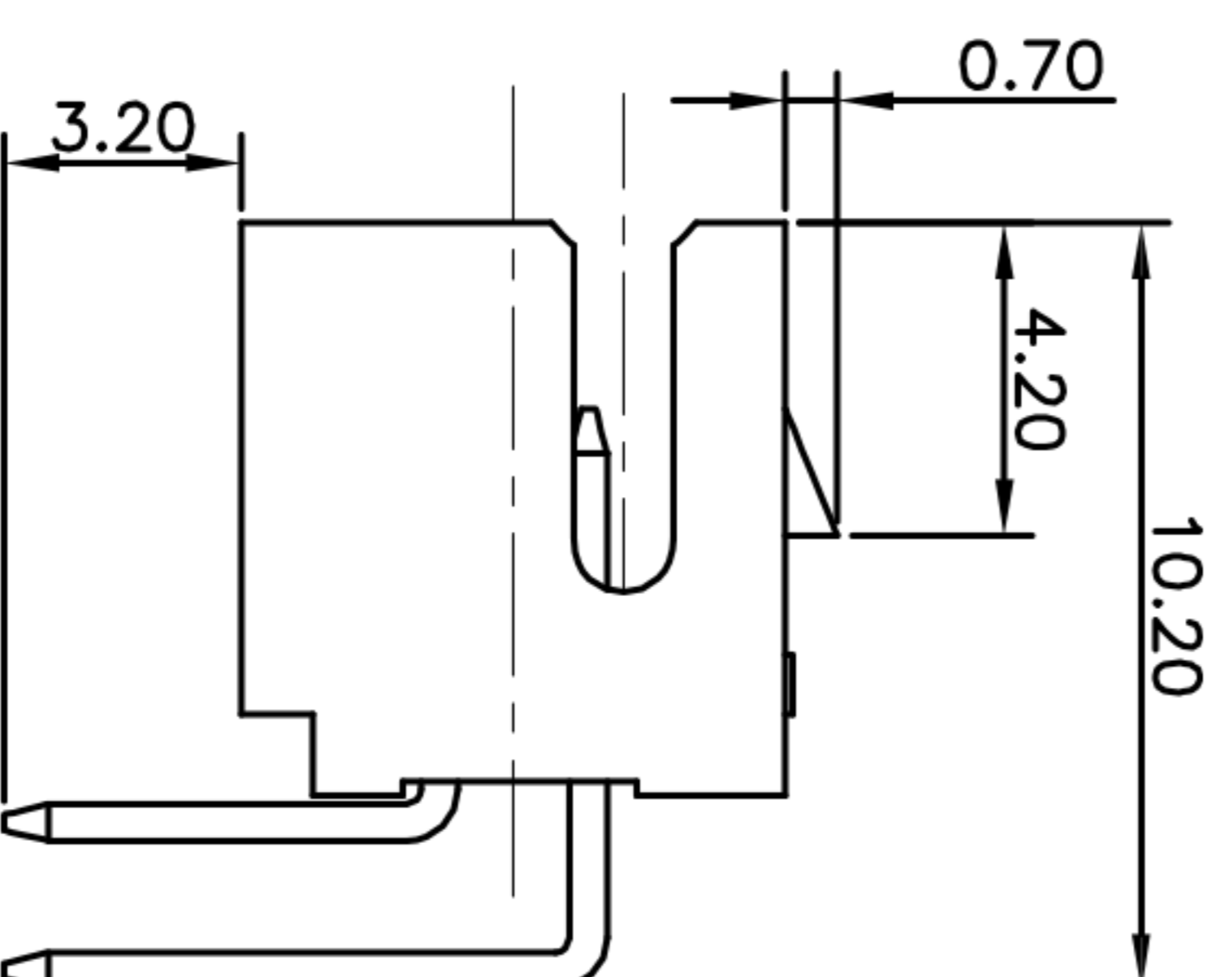
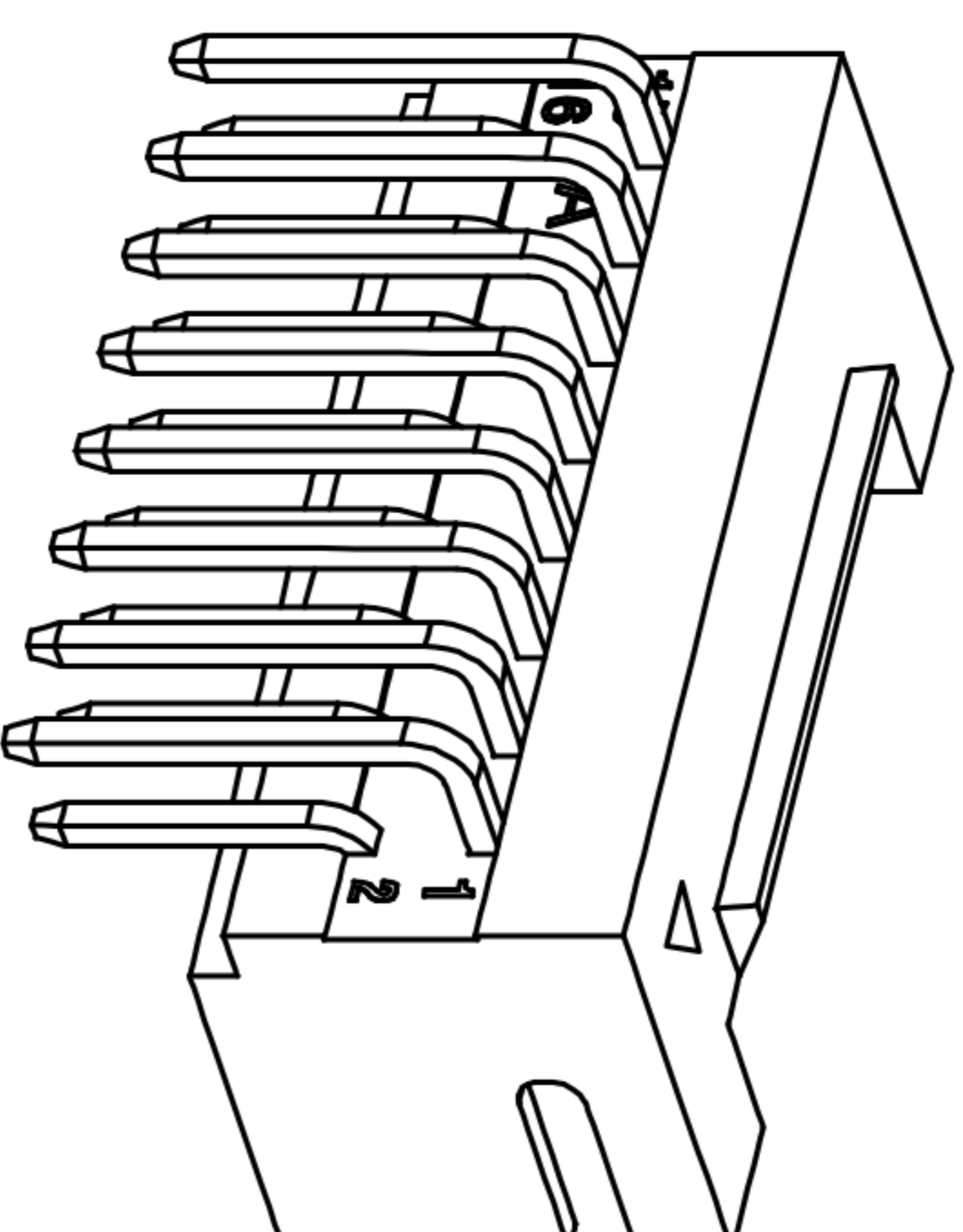


Recommended P.C.B Layout(Top Side)
 P.C.B Thickness = 1.60mm
 (Tolerance=±0.05)



NOTES:

CURRENT RATING:3A AC/DC,
 VOLTAGE RATING:250V AC/DC
 TEMPERATURE RANGE:-40°C~+105°C,
 CONTACT RESISTANCE:30M Ω Max.
 INSULATION RESISTANCE:1000M Ω Min.
 WITHSTANDING VOLTAGE: 1000V AC/MINUTE,
 MATERIAL:PA46.



PART NO.	Dimensions	
	A	B
2X04P	6.00	10.00
2X05P	8.00	12.00
2X06P	10.00	14.00
2X07P	12.00	16.00
2X08P	14.00	18.00
2X09P	16.00	20.00
2X10P	18.00	22.00
2X11P	20.00	24.00
2X12P	22.00	26.00
2X13P	24.00	28.00
2X14P	26.00	30.00
2X15P	28.00	32.00
2X16P	30.00	34.00
2X17P	32.00	36.00
2X18P	34.00	38.00
2X19P	36.00	40.00
2X20P	38.00	42.00
2X21P	40.00	44.00
2X22P	42.00	46.00

ECN NO.	REV.	DATE.	DESCRIPTION.	CHANGE.	CHECK.	APPRO.
	A		NEW			

APPROVALS		DATE	TITLE:	
DRAWN	ZHIWEI.CHEN	2015.07.07	PART NO. GP01-2009WR-2XNP	
CHECKED			UNIT: mm	SCALE: 1:1
APPROVALS			DRAWING NO.	PROJ. SHEET 1 OF 1
TOLERANCES ARE		30~以上 ±0.30	ANGLE	±2°
		10~30 ±0.20		
		5~10 ±0.15		
		~5 ±0.10		



深圳市联丰电子有限公司
 SHENZHEN LINFENG ELECTRONIC CO.,LTD