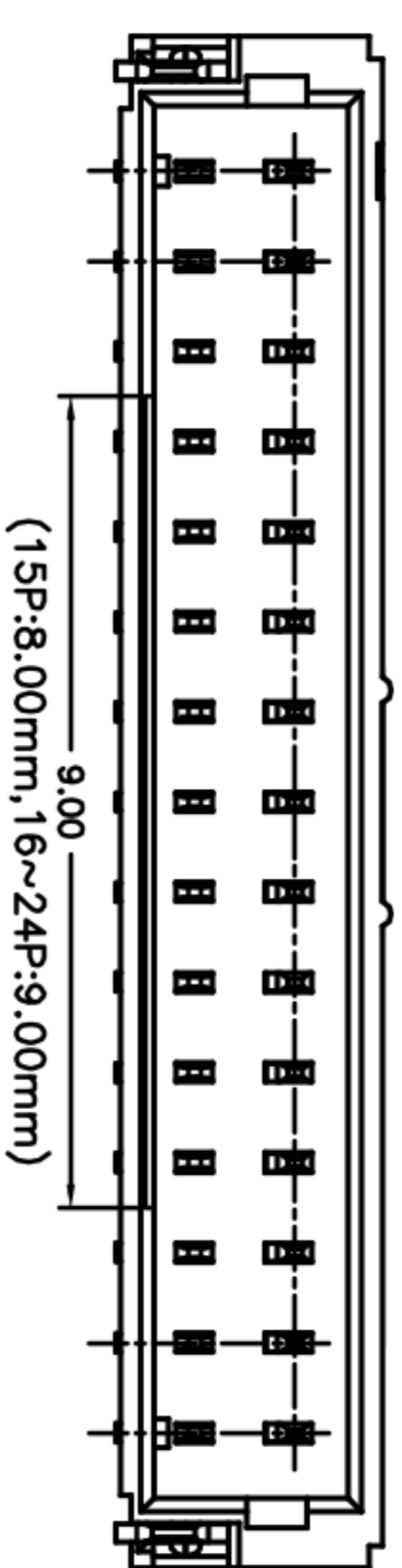
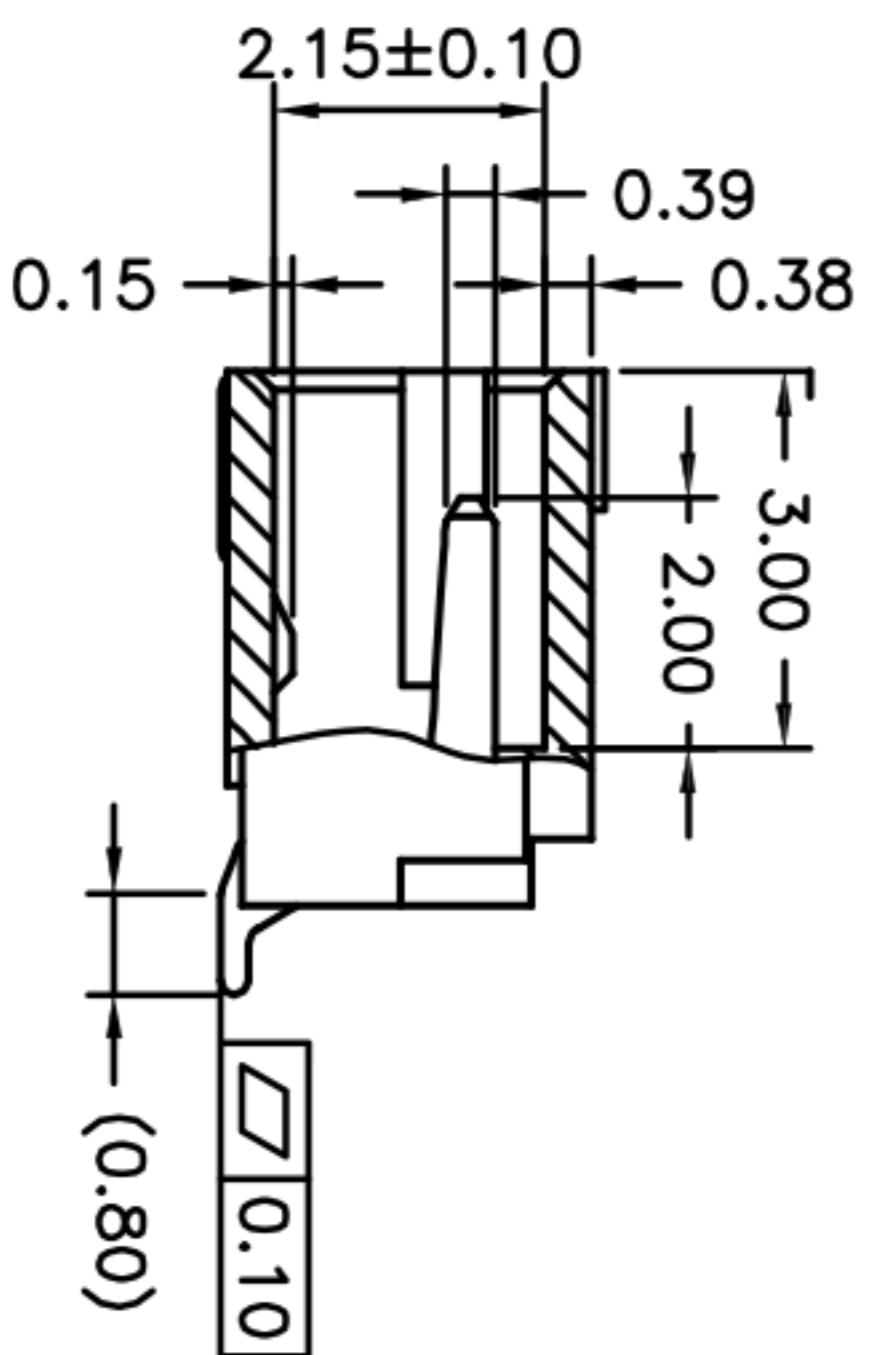
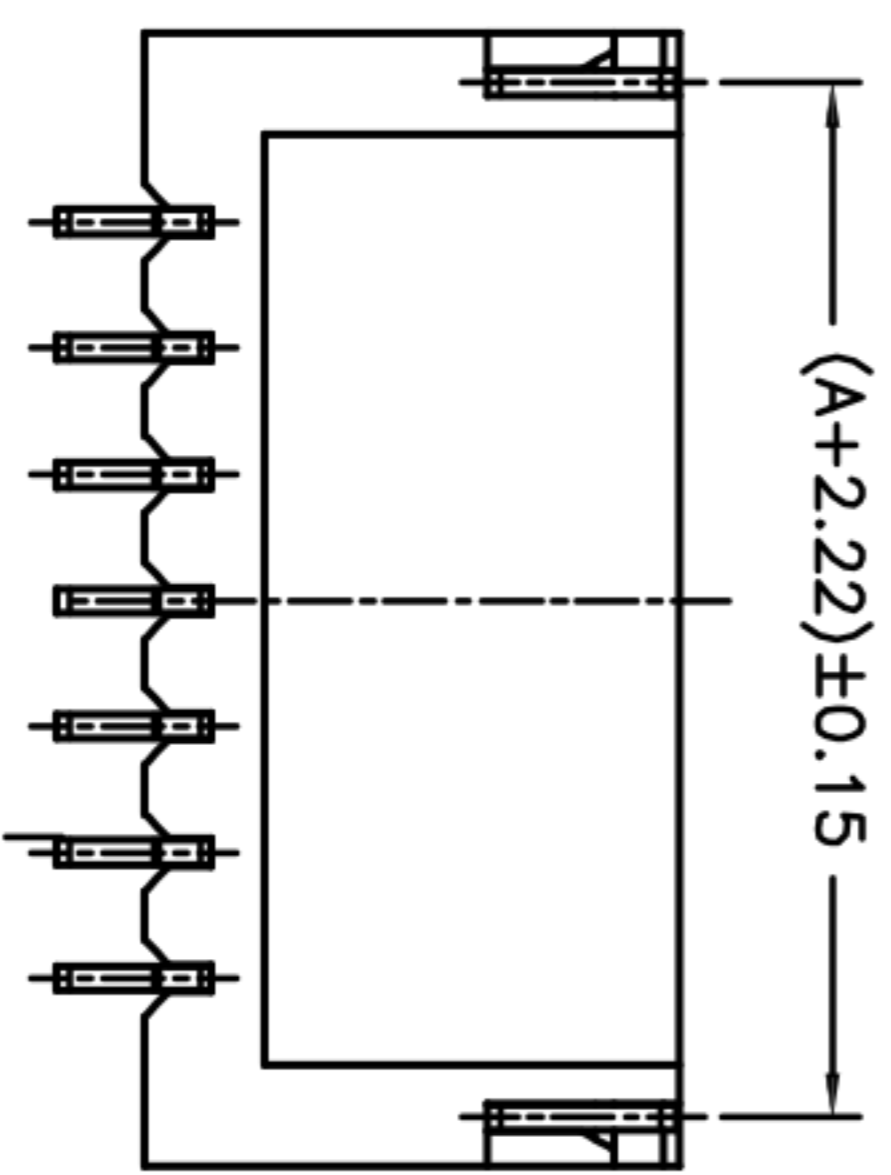
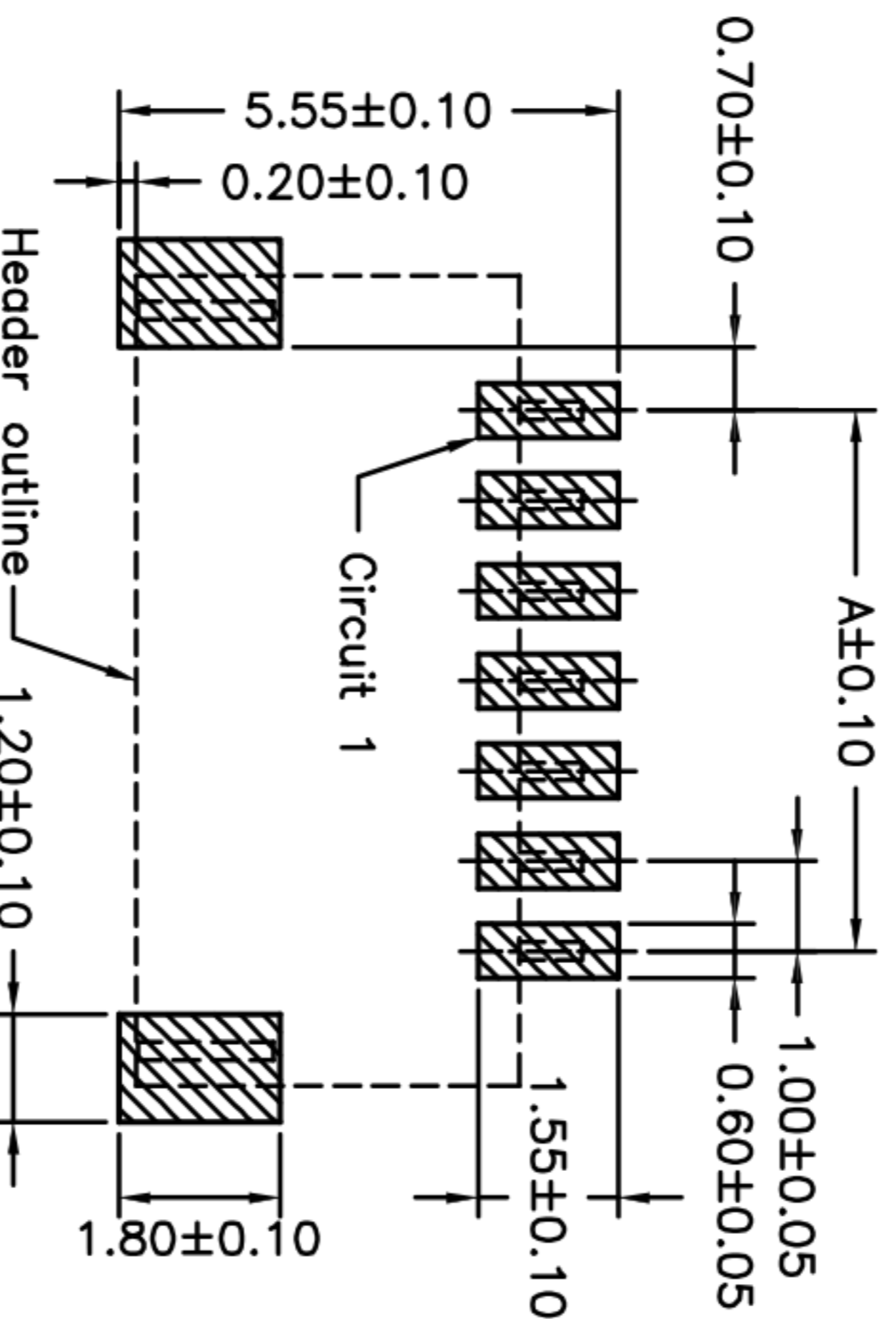


P.C.B. LAYOUT (TOP VIEW)



**SPECIFICATIONS**

Current Rating: 1A AC,DC  
 Voltage Rating: 50V AC,DC  
 Temperature Range: -25°C ~ +85°C  
 Contact Resistance: 20mΩ Max.  
 Insulation Resistance: 100MΩ Min.  
 Withstanding Voltage: 500V AC/minute  
 Pin Material: Phosphor Bronze/Matte Tin-plated or Gold-flash  
 Solder Tabs: Brass/Matte Tin-plated or Gold-flash  
 Material: Nylon 6T,UL94V-0  
 Color: Natural(Black)

Circuit No.	Dimensions			Circuit No.	Dimensions		
	A	B	C		A	B	C
02P	1.00	4.00	2.45	12P	11.00	14.00	12.45
03P	2.00	5.00	3.45	13P	12.00	15.00	13.45
04P	3.00	6.00	4.45	14P	13.00	16.00	14.45
05P	4.00	7.00	5.45	15P	14.00	17.00	15.45
06P	5.00	8.00	6.45	16P	15.00	18.00	16.45
07P	6.00	9.00	7.45	17P	16.00	19.00	17.45
08P	7.00	10.00	8.45	18P	17.00	20.00	18.45
09P	8.00	11.00	9.45	19P	18.00	21.00	19.45
10P	9.00	12.00	10.45	20P	19.00	22.00	20.45
11P	10.00	13.00	11.45	24P	23.00	26.00	24.45

ECN NO.	REV.	DATE.	DESCRIPTION.	CHANGE.	CHECK.	APPRO.
	A		NEW			

APPROVALS		DATE	TITLE:			
DRAWN	ZHIWEI.CHEN	2015.07.07	1.00mm Crimp Style Connector			
CHECKED			PART NO. GP01-1001WRS-NP			
APPROVALS			SCALE: 1:1			
TOLERANCES ARE		30~以上 ±0.30	ANGLE	UNIT: mm	DRAWING NO.	
		10~30 ±0.20				
		5~10 ±0.15	±2'			
		~ 5 ±0.10				

**深圳市聚丰电子有限公司**  
 SHENZHEN LINFENYING ELECTRONIC CO.,LTD