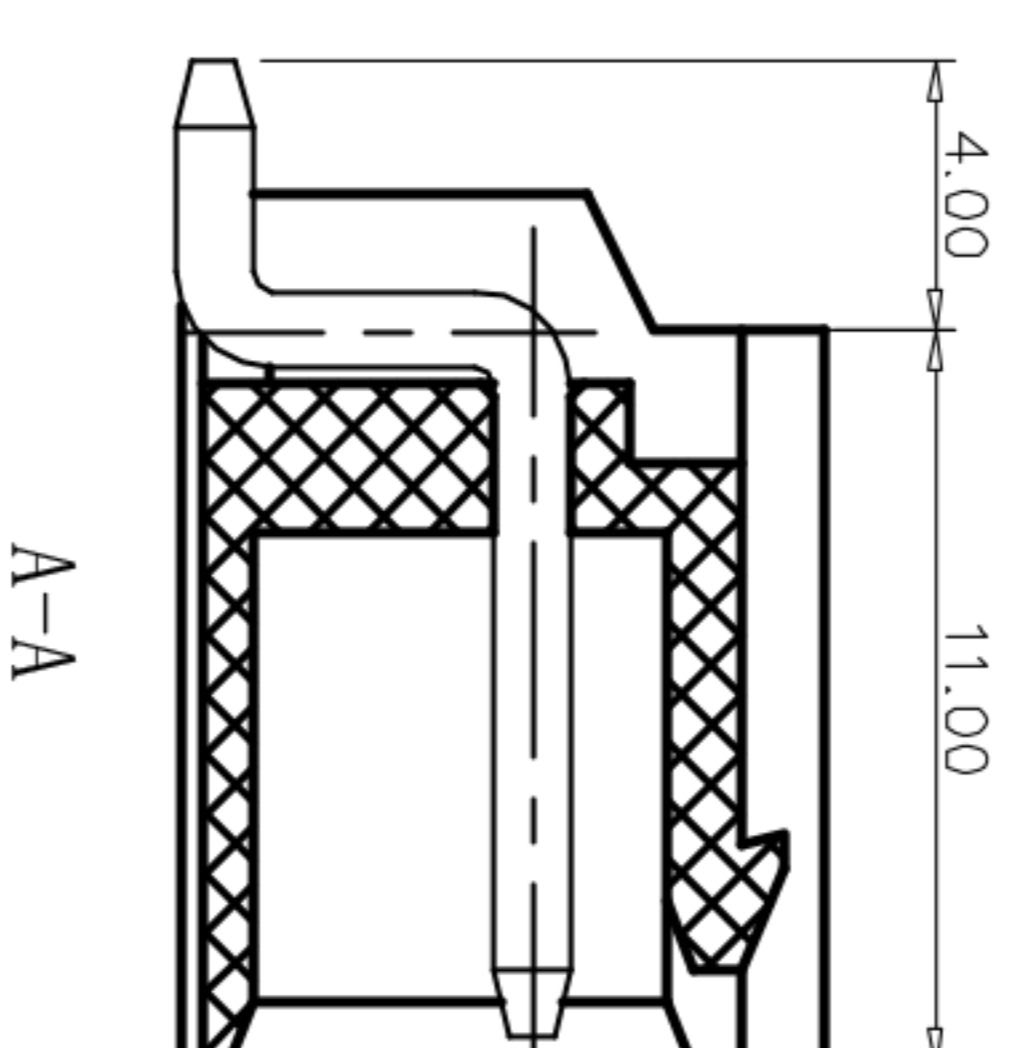
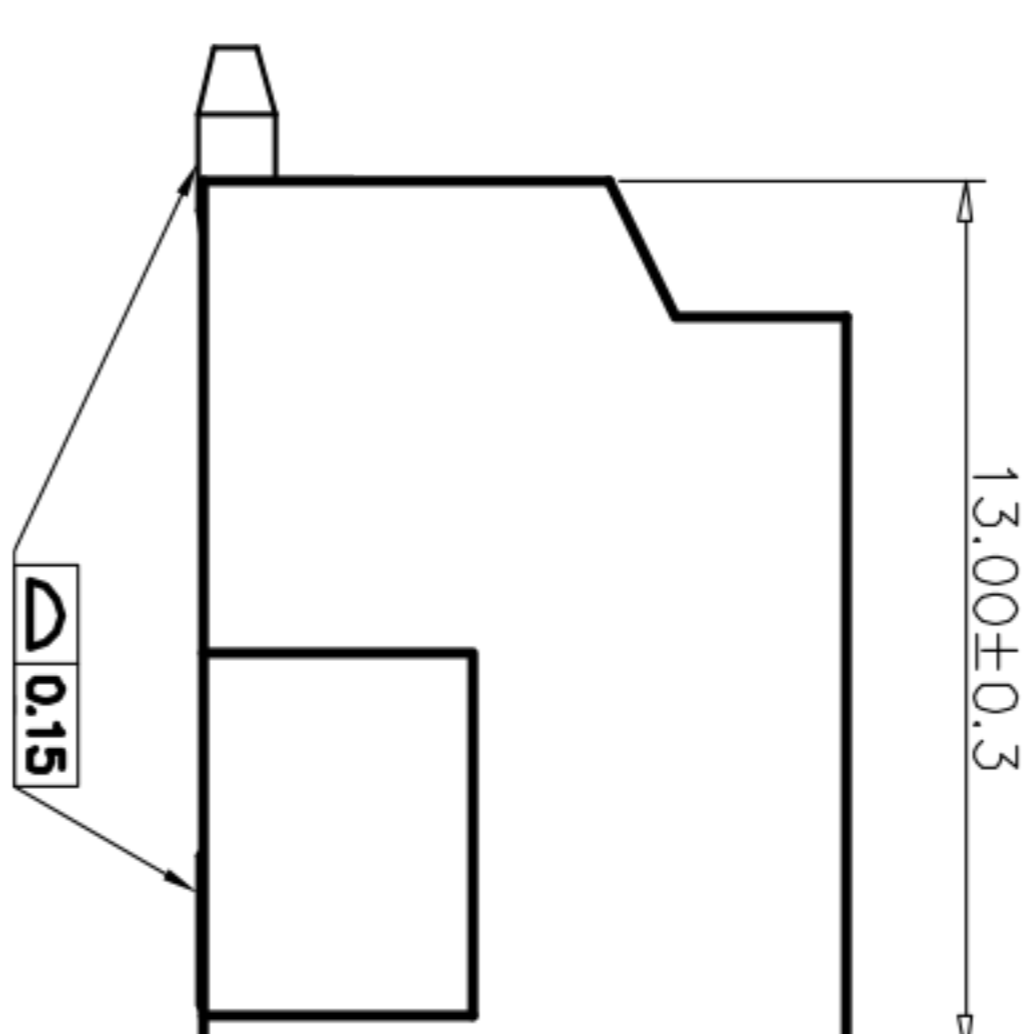
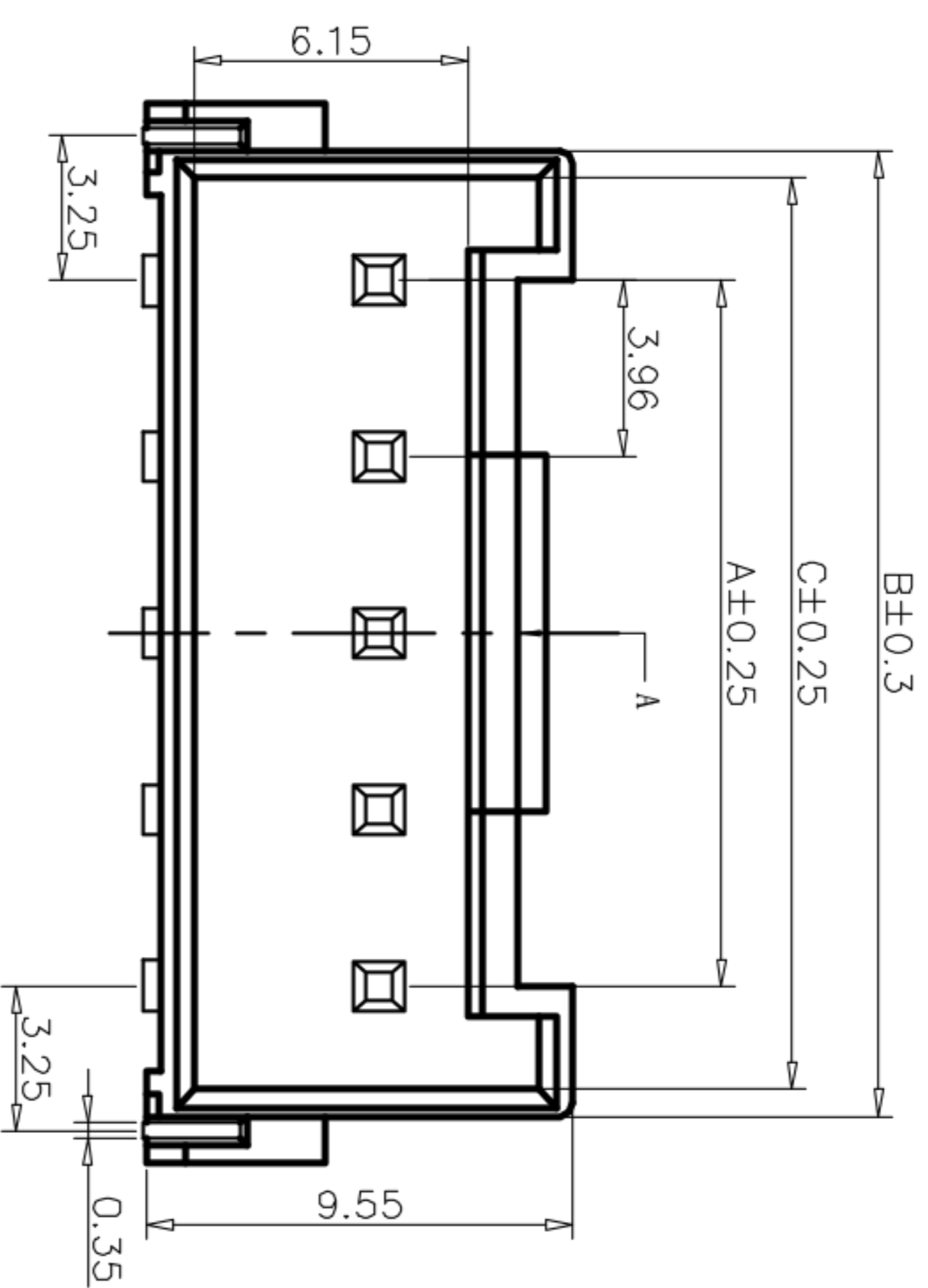
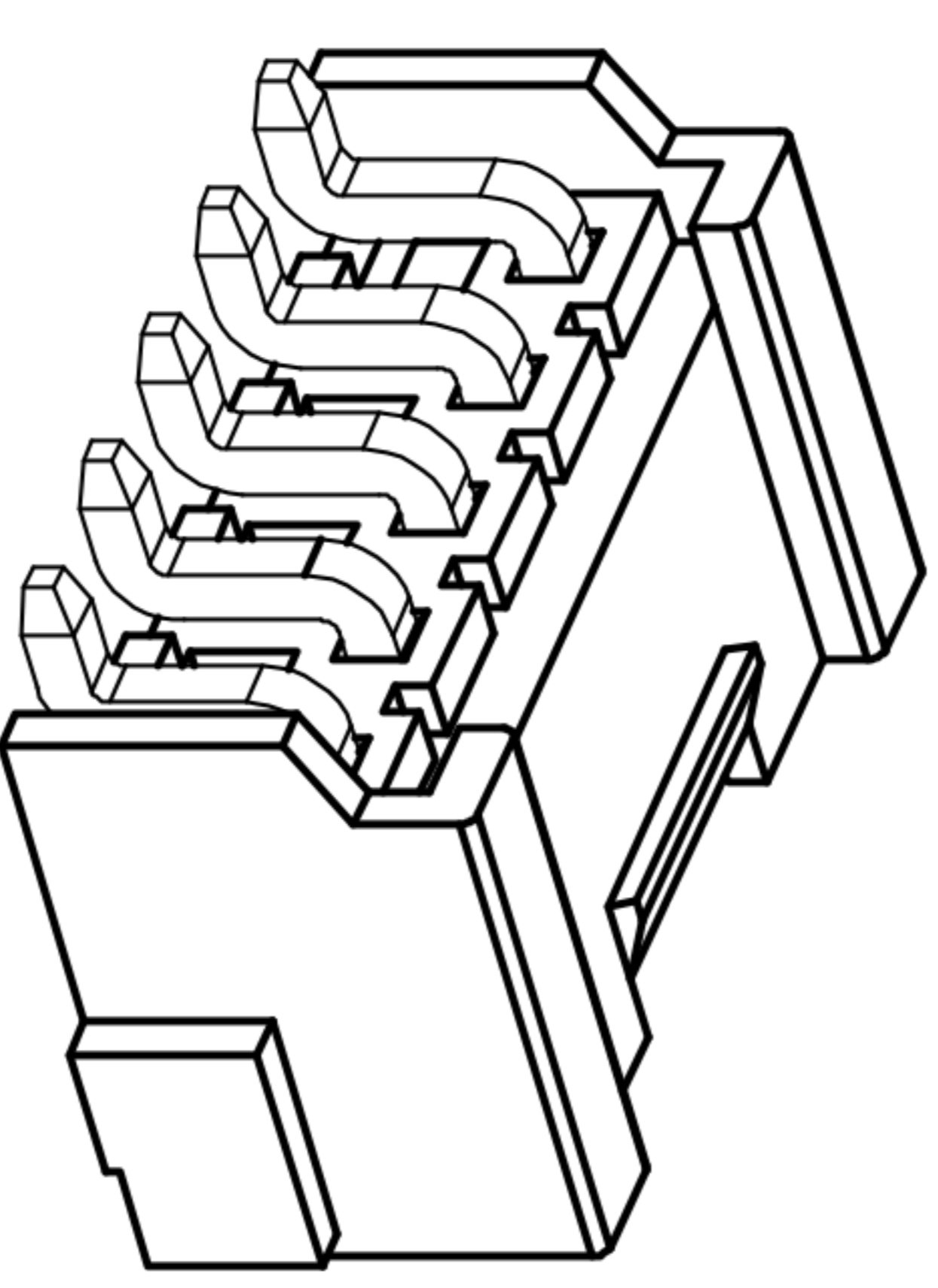
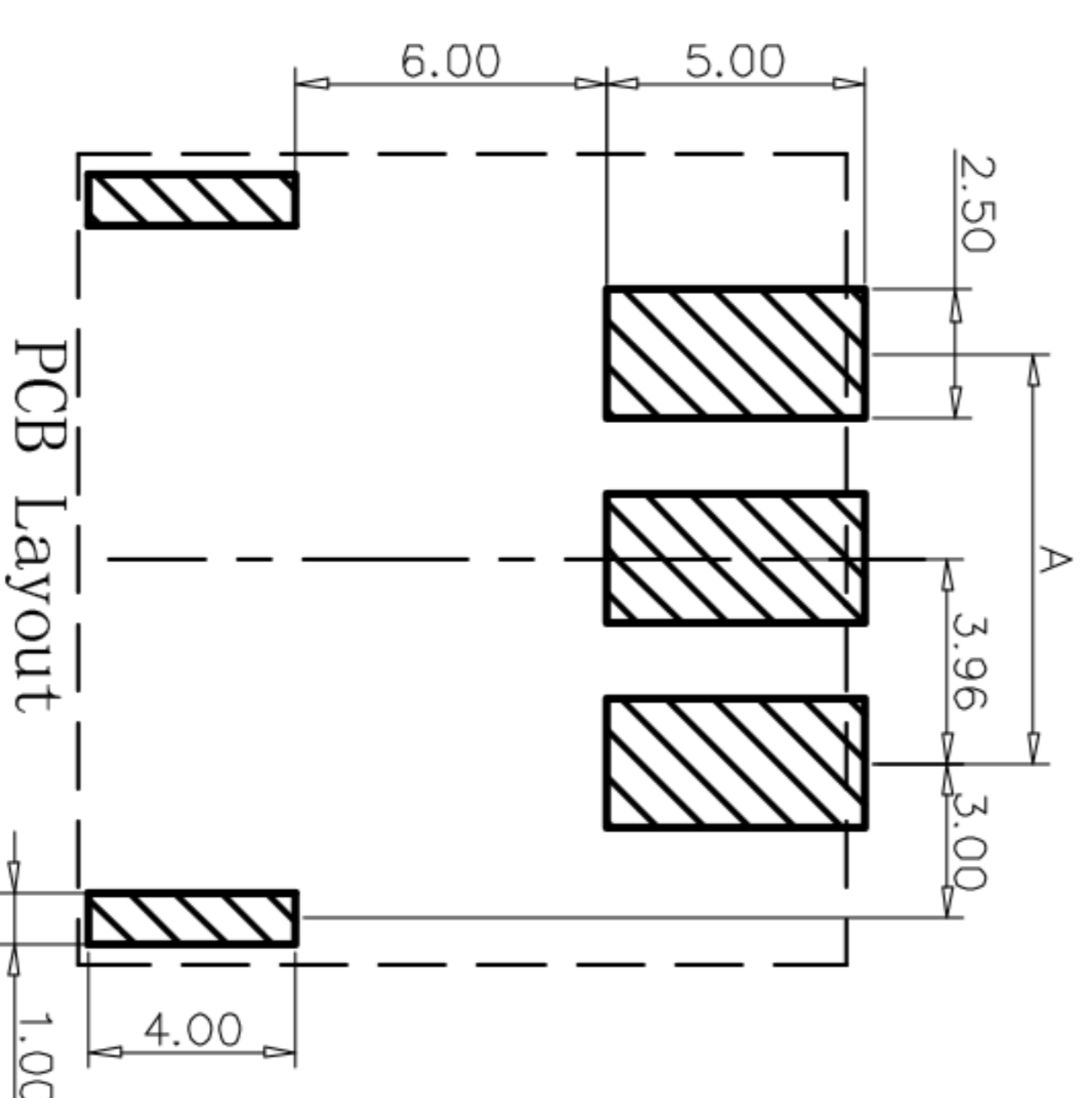
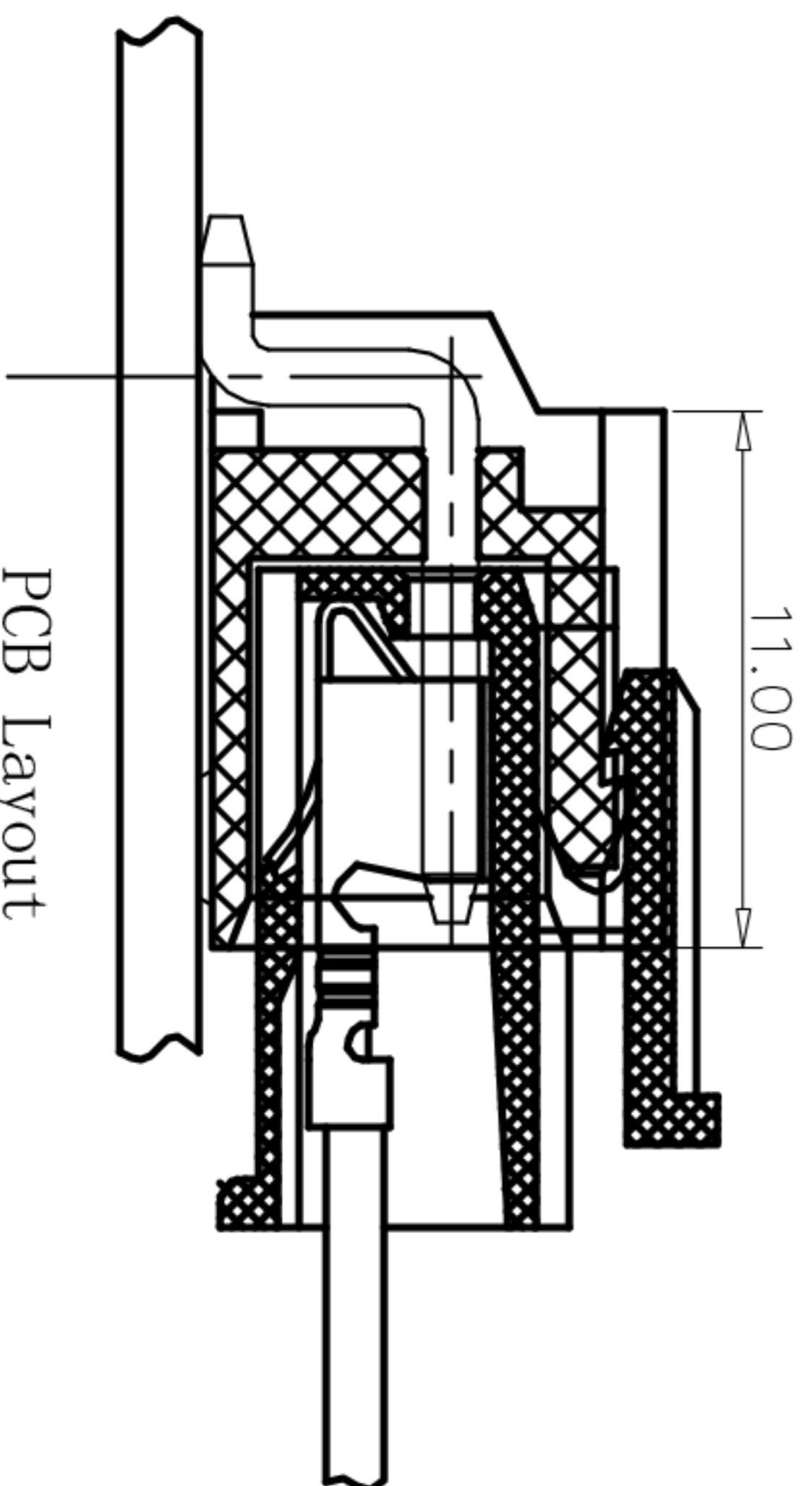
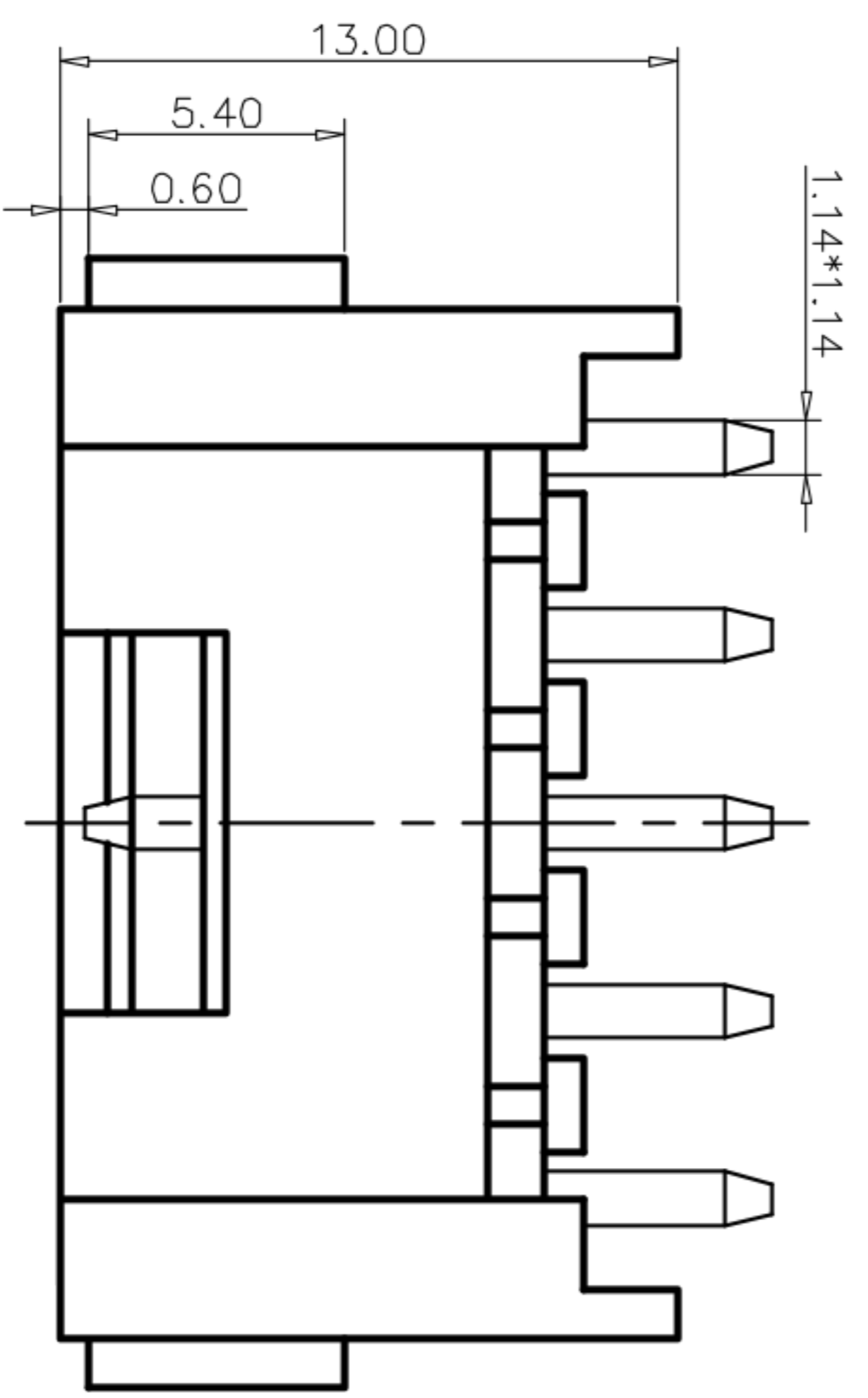


Pin	A	B	C
2	3.96	11.88	8.6
3	7.92	15.84	12.56
4	11.88	19.8	16.52
5	15.84	23.76	20.48
6	19.8	27.72	24.44
7	23.76	31.68	28.4
8	27.72	35.64	32.36
9	31.68	39.6	36.32
10	35.64	43.56	40.28



- Electrical properties**
- Current rating: 7A AC\DC (AWG #26)
 - Voltage rating: 250V AC\DC
 - Temperature range: -25°C to 85°C
 - Contact resistance: Initial value/30m Ω max
 - Insulation resistance: 1000M Ω min
 - Withstanding voltage: 1000V AC/ minute
 - Applicable wire: AWG #18 to #22
- Environmental controls**
- Banned contains SS - 00259 are restricted substance
 - The corresponding issued by SGS or ITS iep-aes dat Not the material in a list, and validity.



ECN NO.	REV.	DATE.	DESCRIPTION.	CHANGE.	CHECK.	APPRO.
	A		NEW			

APPROVALS		DATE	TITLE:	
DRAWN	ZHIWEI.CHEN	2015.07.07	PART NO.	GP01-3961WR-S-NP
CHECKED			UNIT: mm	SCALE: 1:1
APPROVALS			DRAWING NO.	PROJ:
TOLERANCES ARE				SHEET 1 OF 1
30~以上	±0.30	ANGLE		
10~30	±0.20			
5~10	±0.15	±2°		
~ 5	±0.10			

深圳市联丰电子有限公司
 SHENZHEN LINFENG ELECTRONIC CO.,LTD